

14046/14047 Pneumatic stool

- specifically crafted for - but not limited to - Instrumentalists
- protects against fatigue and supports your back
- comfortable, ergonomically formed seat with imitation leather or wear-resistant fabric- adjustable seat - both height and tilt 650-930 mm - with a footrest that can also be adjusted.
- robust, stable and secure stool -
- with balancing end caps for uneven surfaces
- easy to transport, folds together - is space saving - weight 6.5 kg

Thank you for choosing this product. This instruction manual informs you about the important steps to set up and handle the product. We recommend to keep the manual in a separate place for a possible later use.

SAFETY NOTES

- The height of the stool is adjusted with a catch/clamp handle 5, please ensure that the pin attached to the handle always catches when placed in a drill hole of the extension tube.
- When adjusting the height please do not place any weight on the seat.
- The angle of the seat is adjusted with a locking handle 3.
- Please tighten appropriately - manual strength is enough.
- Both foot tubes are extended all the way.
- Be careful when setting up, due to the fact that the adjustment options can result in pinching or wedging.

SETUP

STOOL

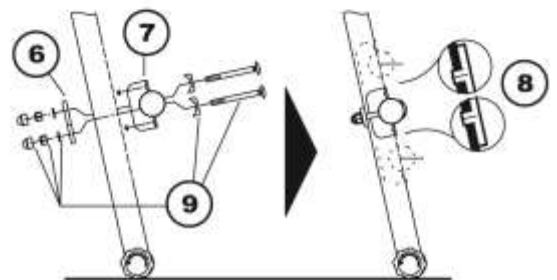
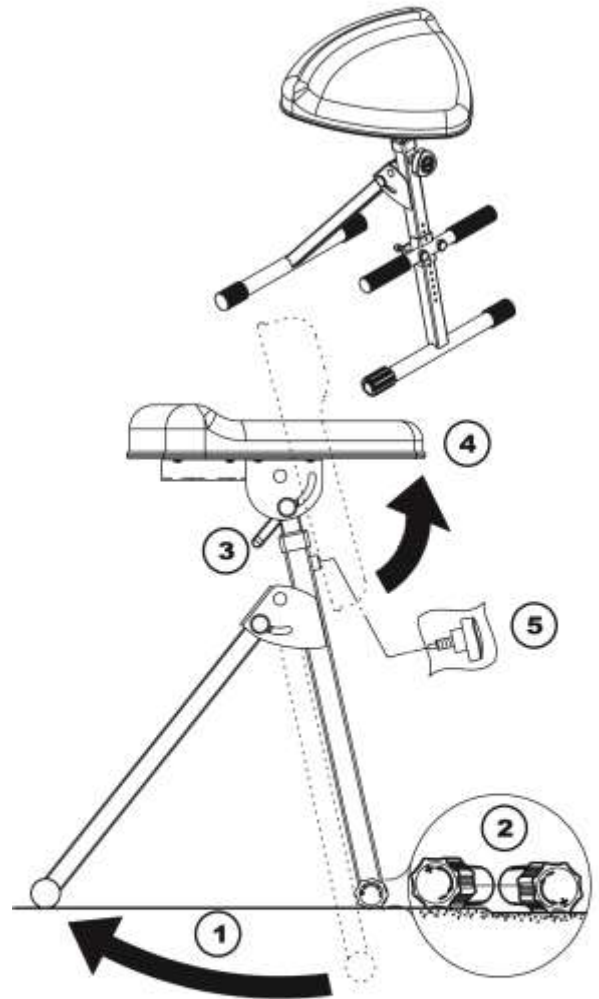
- Extend both foot tube all the way 1 and place on the floor. - Adjust the end caps 2 to ensure that the stool is even - if the surface is uneven.
- Loosening the locking handle 3, adjust the seat height to the desired position 4, re-tighten the locking handle.
- Screw in the catch clamp screws (5) in the threading hole of the base tube and have the bolt catch in one of the drill holes of the extension tube.
- (see Section: HEIGHT ADJUSTMENT)

FOOT SUPPORT

It provides the stool with a relaxing effect and is attached to the base tube.

(9 positions are available):

- To adjust place the U latch 7 of the foot support over and
- be sure that BOTH knobs 8 are placed in the
- corresponding drill holes
- now screw 9 the horizontal tube of the foot support to both sides of the base tube with the opposite clamp latch 6



KÖNIG & MEYER GmbH & Co. KG
Kiesweg 2, 97877 Wertheim, www.k-m.de

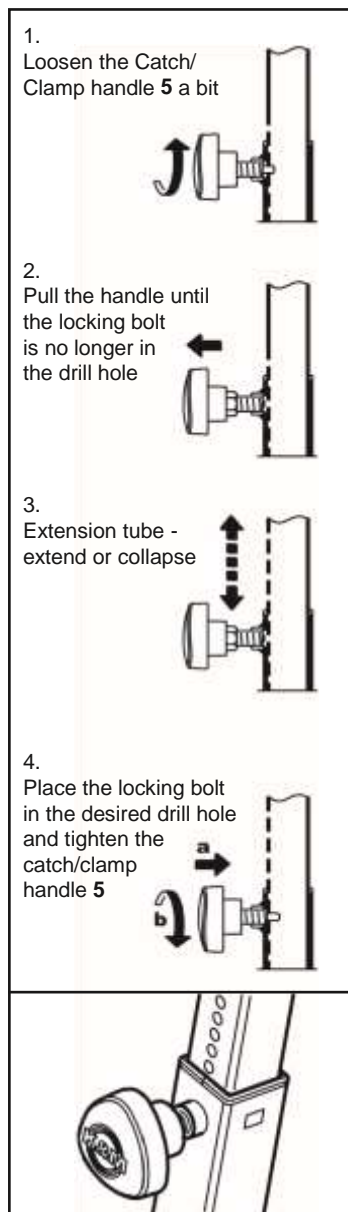
Pneumatic Spring see the attached assembly instructions

TECHNICAL DATA

Material	Tubes, sheet metal parts, screws: steel
Handles, guides:	polyamide (PA)
End Caps:	TPE
Seat:	fabric (14046), imitation leather (14047)
Dimensions	Seat height: 650-930 mm
Setup dimensions:	W x D 400 x 450 mm
Weight	6.5 kg
Box	W x D x H: 880 x 410 x 210 mm
Accessories	optional: backrest 14042 or 14043

USAGE NOTES / FUNCTION

HEIGHT ADJUSTMENT

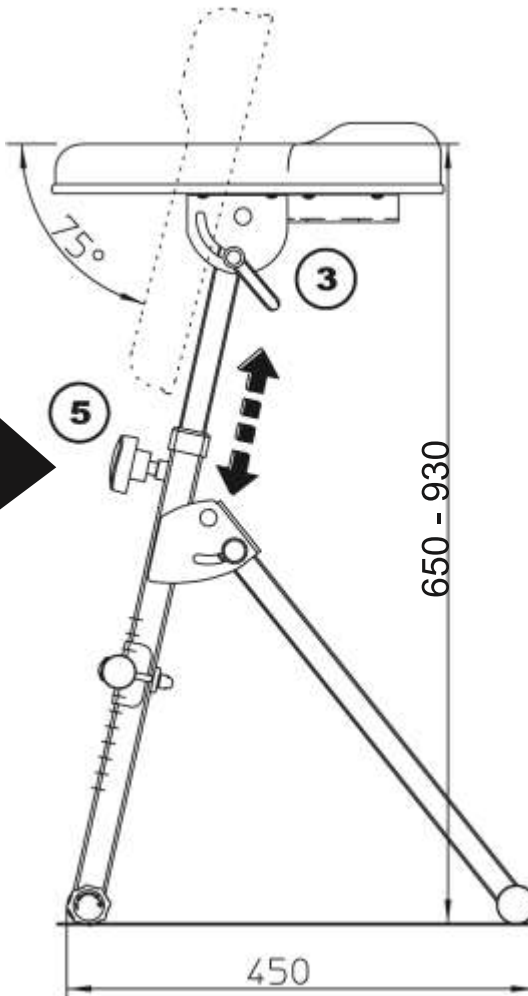


ANGLE OF THE SEAT

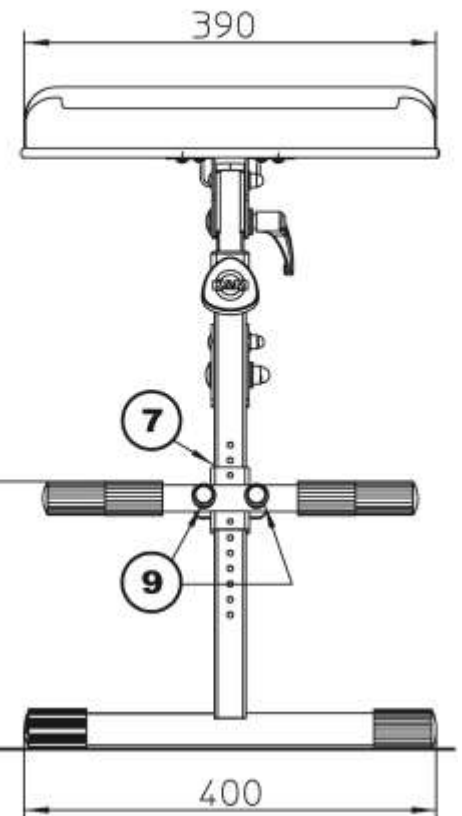
The angle of the seat can be adjusted variably from 0° to 75°.

This means: - every practical seat position can be selected

- the seat cannot tilt backwards
- the stool can be collapsed into a very small and easy to transport package - and is well suited for transportation
- just loosen the clamping mechanism 3, place the seat at the desired angle and re-tighten

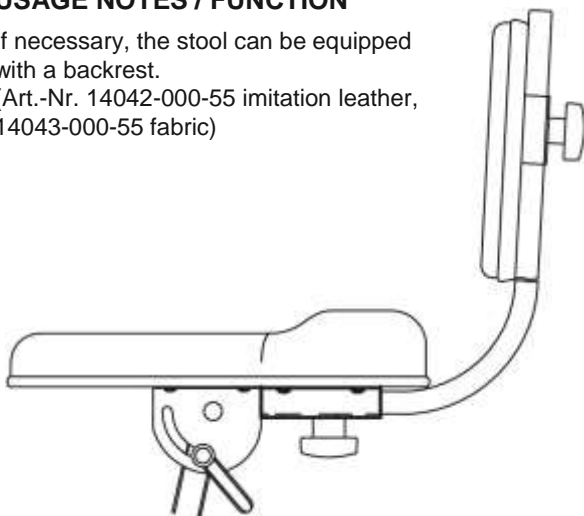


DIMENSIONS (in mm)



USAGE NOTES / FUNCTION

If necessary, the stool can be equipped with a backrest.
(Art.-Nr. 14042-000-55 imitation leather, 14043-000-55 fabric)



ADJUST FOOT SUPPORT

- loosen the screws 9 so that the knobs come out of the drill holes, then lift the U latch 7 somewhat and place in one of the desired 9 positions.
- then re-tighten the screw 9

CHECK, MAINTENANCE, CLEANING

- In the event of workstation maintenance pay attention to possible risks
- To care for the product use a damp cloth and a non-abrasive cleaning agent

FAULT-FINDING (F) and REPAIR (R)

F: The stool is not stable:

R: Check surface and adjust accordingly, if needed adjust the end caps.

R: Extend the foot tube all the way.

R: Screws, catch/clamp handle, tighten clamping mechanism.

F: Foot support slips:

R: Place Knobs (8) of the U latch in the base tube and tighten the screws.